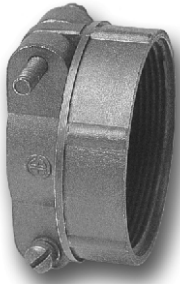


CABLE CLAMP MS 3057 A



The MS 3057A cable clamp is made for cable connector and receptacles that have an endbell with external conduit threads. The double clamping action provides a balanced, positive hold on the wires and greatly reduces moisture transmission. Provision is made for safety wiring. This clamp is supplied without bushing.

FITS SHELL SIZE	PART NUMBER	ACCOMODATES MS BUSHING
10SL	MS 3057 - 4A	MS 3420 - 4
12S	MS 3057 - 4A	MS 3420 - 4
14S	MS 3057 - 6A	MS 3420 - 6
16S	MS 3057 - 8A	MS 3420 - 8
16	MS 3057 - 8A	MS 3420 - 8
18	MS 3057 - 10A	MS 3420 - 10
20	MS 3057 - 12A	MS 3420 - 12
22	MS 3057 - 12A	MS 3420 - 12
24	MS 3057 - 16A	MS 3420 - 16,12
28	MS 3057 - 16A	MS 3420 - 16,12
32	MS 3057 - 20A	MS 3420 - 20,16
36	MS 3057 - 24A	MS 3420 - 24,20
40	MS 3057 - 28A	MS 3420 - 24,20

TELESCOPING BUSHING MS 3420



Telescoping gland bushings (used with MS 3057A cable clamp & 3100, 3101, 3106, 3108 styles) keeps dirt, oil and moisture out of endbell. Taping or wrapping wires is eliminated, since bushing protects wires going through clamp. Combinations of bushing may be used to decrease cable entry diameter to improve sealing. Material is Polychloroprene.

FITS SHELL SIZE	PART NUMBER
10SL	MS 3420 - 4
12S	MS 3420 - 4
14S	MS 3420 - 6
16S	MS 3420 - 8
16	MS 3420 - 8
18	MS 3420 - 10
20	MS 3420 - 12
22	MS 3420 - 12
24	MS 3420 - 16
28	MS 3420 - 16
32	MS 3420 - 20
36	MS 3420 - 24
40	MS 3420 - 28



PROTECTIVE METAL CAPS MS 25042

FOR 3106 AND 3108 STYLES

These external threaded metal dust caps are used to protect MS 3106 and MS 3108 styles. Material is aluminium alloy. They are supplied with sash chain.

FITS SHELL SIZE	PART NUMBER WITH SASH CHAIN
10SL	MS 25042 - 10D
12S	MS 25042 - 12D
14S	MS 25042 - 14D
16S, 16	MS 25042 - 16D
18	MS 25042 - 18D
20	MS 25042 - 20D
22	MS 25042 - 22D
24	MS 25042 - 24D
28	MS 25042 - 28D
32	MS 25042 - 32D
36	MS 25042 - 36D
40	MS 25042 - 40D
44	MS 25042 - 44D



PROTECTIVE METAL CAPS MS 25043

FOR 3100, 3101 AND 3102 STYLES

These internally threaded metal dust caps are used to protect MS 3100, MS 3101 and MS 3102 styles. Material is aluminium alloy. They are supplied with sash chain.

FITS SHELL SIZE	PART NUMBER WITH SASH CHAIN
10SL	MS 25043 - 10D
12S	MS 25043 - 12D
14S	MS 25043 - 14D
16S, 16	MS 25043 - 16D
18	MS 25043 - 18D
20	MS 25043 - 20D
22	MS 25043 - 22D
24	MS 25043 - 24D
28	MS 25043 - 28D
32	MS 25043 - 32D
36	MS 25043 - 36D
40	MS 25043 - 40D
44	MS 25043 - 44D

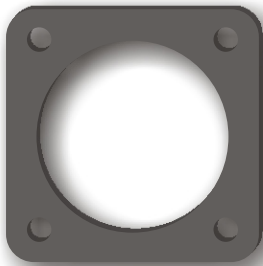
PROTECTIVE PLASTIC CAPS



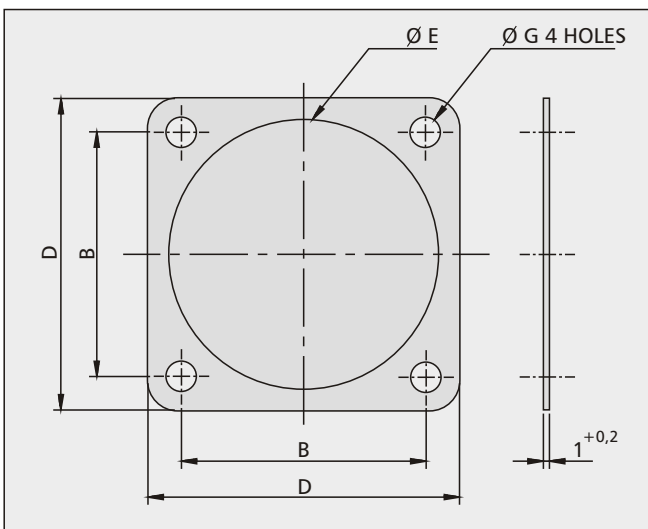
Protective dust caps are designed to cover the coupling end of MS connectors where there is possibility of foreign matter accumulating on the interior of the connector or to avoid damage to the threaded parts. Material is red polythylene. Plastic dust caps can be reused, but are not intended to replace the standard aluminium dust caps.

For ordering, specify 3102/3106 - shell size - DC (Dust Cap), e.g. MS 3102 - 36 - DC

SQUARE GASKET



These sealing Gaskets made of Neoprene are used with flange mounted receptacles.



SHELL SIZE	PART NUMBER	DIMENSIONS			
		D ^{+0.04} _{-0.0}	B ^{±0.25}	E ^{+0.04} _{-0.0}	G ^{±0.25}
10SL	MS 02-10SL SQG	25.4	18.26	15.88	4.37
12S	MS 02-12S SQG	27.79	20.62	19.05	4.37
14S	MS 02-14.S SQG	30.17	23.01	22.22	4.37
16S	MS 02-16S SQG	32.54	24.61	25.40	4.37
18	MS 02-18 SQG	34.93	26.97	28.58	5.16
20	MS 02-20 SQG	38.10	29.36	31.75	5.16
22	MS 02-22 SQG	41.27	31.75	34.92	5.16
24	MS 02-24 SQG	44.45	34.93	38.10	5.16
28	MS 02-28 SQG	50.80	39.67	44.45	5.16
32	MS 02-32 SQG	75.15	44.45	50.80	5.56
36	MS 02-36 SQG	63.50	49.92	55.57	5.56
40	MS 02-40 SQG	69.85	55.57	61.90	5.56

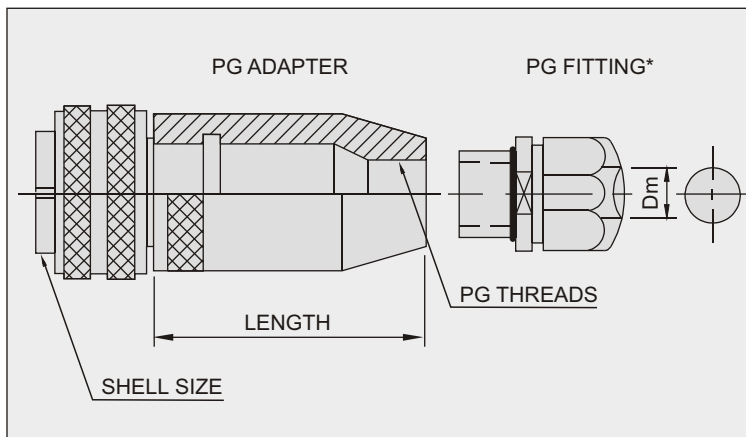
DIMENSIONS ARE IN mm

PG - ADAPTER FOR MS CIRCULAR CONNECTORS



SHELL SIZE	PG THREAD	Dm Ref	LENGTH
10SL	7	2,5-6.5	28
10SL	9	4-8	28
14S	11	5-10	30
16S	11	5-10	30
16	11	5-10	30
18	11	5-10	37
18	16	10-14	37
18	21	13-18	41
20	11	5-10	40
20	16	10-14	40
20	21	13-18	40
22	16	10-14	40
22	21	13-18	40
24	21	13-18	40
24	29	18-25	40
28	21	13-18	45
28	29	18-25	45

Also available PG 13.5 (6-12), PG 36 (19-32) and Metric Range of Adaptors.



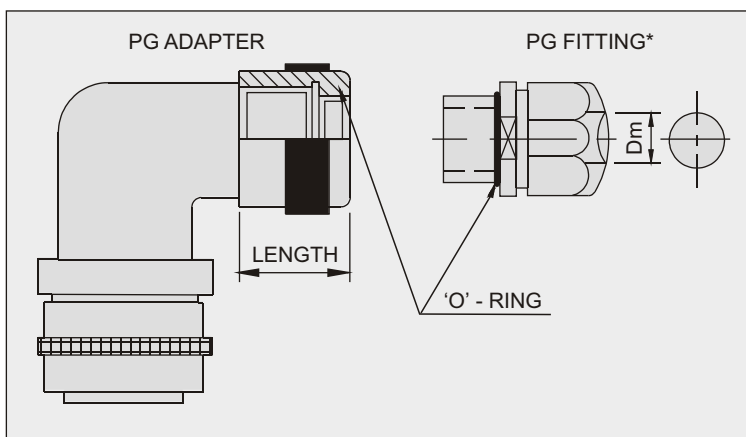
Typical Part No. =
 MS 3106F20-17P-ADP P16+G =
 Connector with Adapter including Hex PG Fitting
 MS 3106F20-17P-ADP P16 =
 Connector with Adapter without Hex PG Fitting

PG - ADAPTER FOR MS CIRCULAR CONNECTORS



SHELL SIZE	PG THREAD	Dm Ref	LENGTH
10SL	7	2,5-6.5	20
10SL	9	4-8	20
14S	11	5-10	20
16S	11	5-10	20
16	11	5-10	20
18	11	5-10	20
18	16	10-14	20
20	16	10-14	20
22	16	10-18	20
24	21	13-18	20

Also available PG 13.5 (6-12), PG 36 (19-32) and Metric Range of Adaptors.



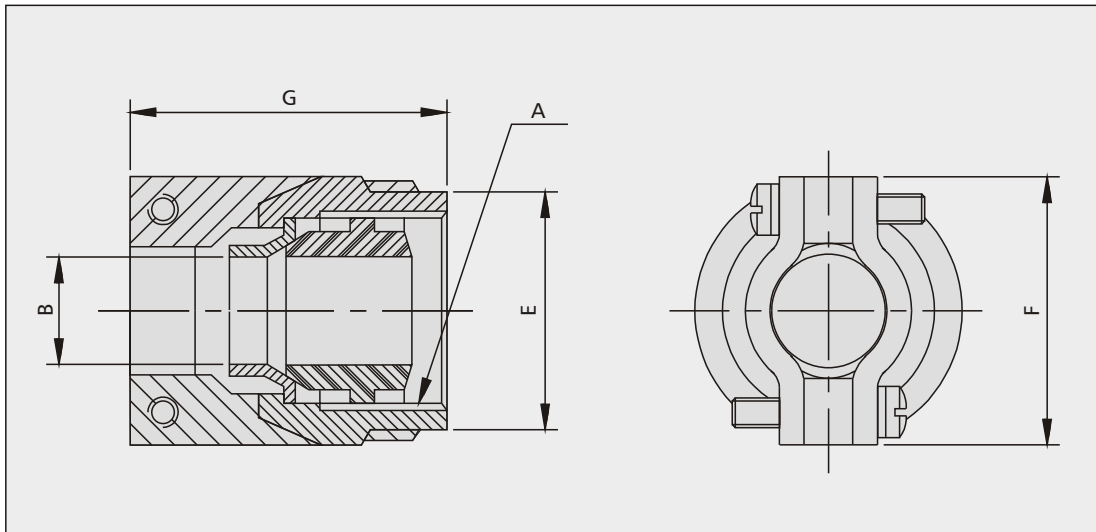
Typical Part No. =
 MS 3108E/A20-16P-ADP P16 =
 Connector with Adapter & with Hex PG Fitting
 MS 3108E/A20-16S- P16 + G =
 Connector with Adapter including Hex PG Fitting

* CONSULT FACTORY BEFORE ORDERING
 ALL DIMENSIONS ARE IN mm

CABLE CLAMP MS 3057-C



Waterproof cable clamp with mechanical strain relief clamp, providing concentric clamping over a wide range of cable sizes. The metal body is manufactured from aluminium alloy, cadmium plated and olive drab passivated. Neoprene grommet with metal ferrule.



To reduce diameter B, use rubber bushing MS3420 A.

40	MS 3057 - 28C	2.250 - 16 UN	41,25	29,90	60,3	63,5	51,6
36 *	MS 3057 - 24C	2.000 - 18 UNS	35,00	23,40	53,9	57,1	51,6
32	MS 3057 - 20C	1.750 - 18 UNS	31,75	23,40	47,6	54,0	44,8
28	MS 3057 - 16C	1.4375 - 18 UNEF	23,80	15,50	39,6	42,0	38,5
24	MS 3057 - 16C	1.4375 - 18 UNEF	23,80	15,50	39,6	42,0	38,5
22	MS 3057 - 12C	1.1875 - 18 UNEF	19,00	11,30	33,3	37,3	35,7
20	MS 3057 - 12C	1.1875 - 18 UNEF	19,00	11,30	33,3	37,3	35,7
18	MS 3057 - 10C	1.000 - 20 UNEF	15,87	9,60	28,5	31,0	35,3
16	MS 3057 - 8C	0.875 - 20 UNEF	13,48	8,00	25,4	28,1	32,3
16S	MS 3057 - 8C	0.875 - 20 UNEF	13,48	8,00	25,4	28,1	32,3
14S *	MS 3057 - 6C	0.750 - 20 UNEF	11,12	5,84	22,2	25,8	32,3
10SL *	MS 3057 - 4C	0.625 - 24 UNEF	7,93	2,38	19,0	22,6	32,3
SHELL SIZE	CLAMP ORDER P/N	A THREAD CLASS 2B IN inch	OPEN	CLOSED	±0,4 E	±0,2 F	+0,5 -0 G
			B				

* CONSULT FACTORY BEFORE ORDERING

DIMENSIONS ARE IN mm

"Connect Through Allied"

To Index