

## VARIOFACE SSR Modules

### Feature:

1. Multi channel configuration
2. Suitable for High Switching Frequency.
3. Opto Isolation of 2500 Vac
4. Compatible to TTL/CMOS Logic
5. LED indication for relay ON status.
6. Inbuilt protections, wherever required.
7. Universal Din rail Mounting.
8. Provision for common negative at the input side

Product Code	Article no.	Dimension	Brief Description
PC-10E/24DC/24DC/3	5758454	25X90mm	1 Channel DC-O Module
PC-4OE/24DC/24DC/30	5758292	80X90mm	4 Channel DC-I Module
PC-4OE/230AC/24DC/50	5758315	80X90mm	4 Channel AC-I Module
PC-4OE/24DC/24DC/3	5758302	80X90mm	4 Channel DC-O Module
PC-4OE/24DC/230AC/3	5758328	80X90mm	4 Channel AC-O Module
PC-4OV/24DC/230AC/5	5755994	85X125mm	4 Channel AC-O Module High Current



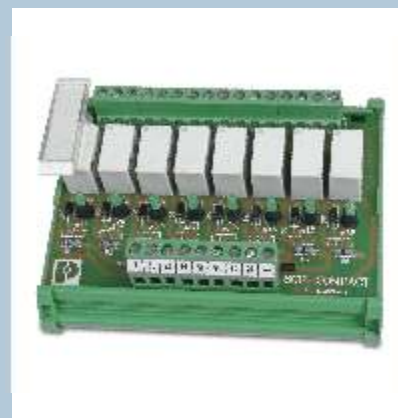
TECHNICAL DATA	DC-I Modules	AC-I Modules	DC-O Modules	AC-O Modules
Input supply	3.5-32 V	180-280 V AC	3-32 V	3-32 V
Output Switching Voltage	3-36 V	3-30 V DC	3-36 V DC	180-280 V AC
Load rating	30 mA	50	3 A	3 A / 5 A

## VARIOFACE Economy Relay Modules

### Feature:

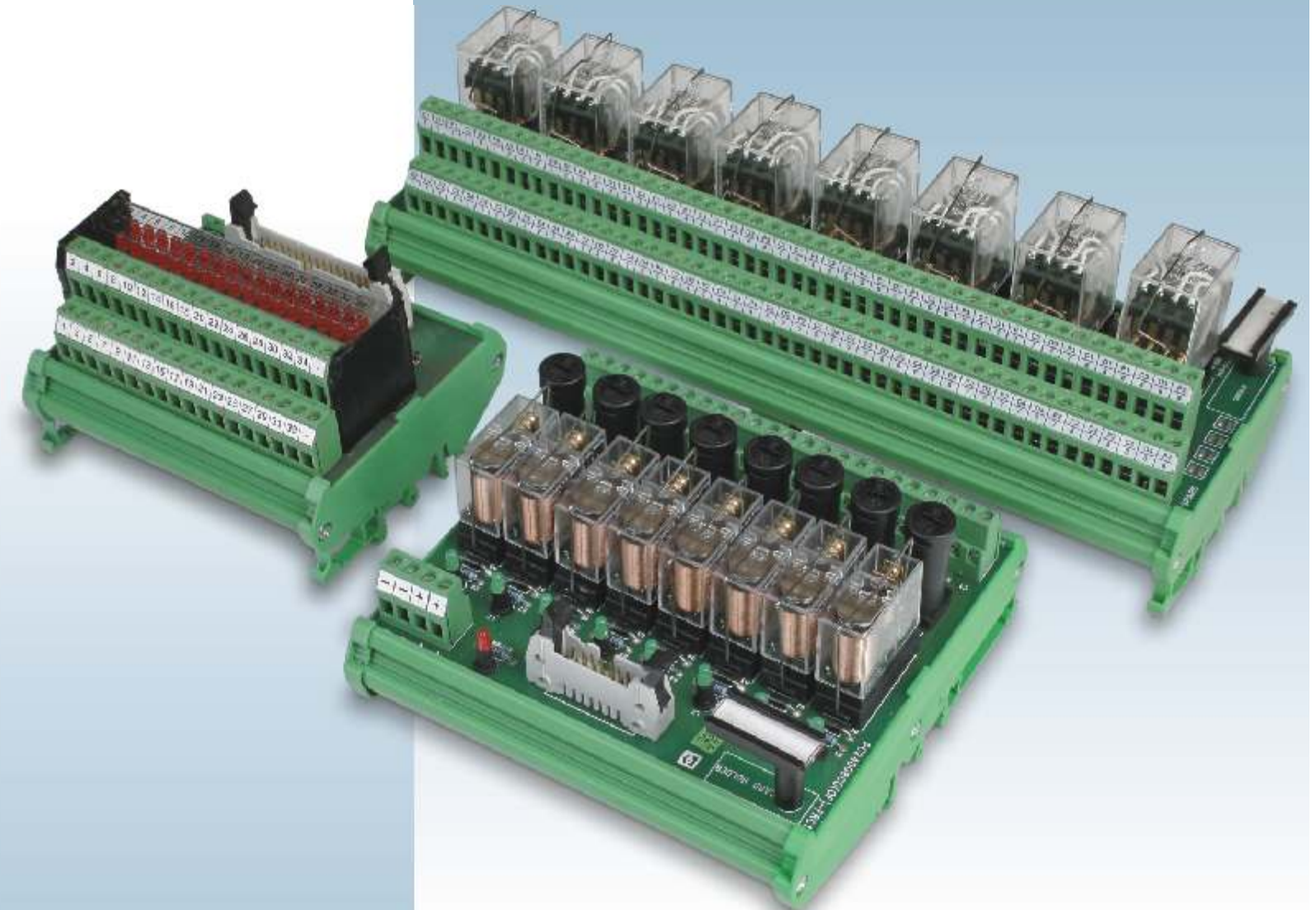
1. Available in 2,4,6,8 and 16 channel version.
2. Compact size
3. LED indication and Diode protection for each channel.
4. Relay output contact :- 'NO', 8 A, 230 V AC / 28V DC.
5. User-friendly Labeling at both input and output.
6. Universal Din rail Mounting.
7. Available in both +Ve or -Ve common version.

Product Code	Article No.	Dimension	Brief description
PC24DA02-N1	5755499	30 X 90mm	2 Channel, 1NO, 24 UC Relay Module.
PC24DA04-N1	5755486	55 X 90mm	4 Channel, 1NO, 24 UC Relay Module.
PC24DA06-N1	5755473	85 X 90mm	6 Channel, 1NO, 24 UC Relay Module.
PC24DA08-N1	5755460	110 X 90mm	8 Channel, 1NO, 24 UC Relay Module.
PC24DA16-N1	5755457	210 X 90mm	16 Channel, 1NO, 24 UC Relay Module.



### AUTHORISED DISTRIBUTOR

## INTERFACE



# VARIOFACE Wiring Interfaces

### HEAD OFFICE

Phoenix Contact (India) Pvt. Ltd.  
F-26/2, Okhla Industrial Area, Phase II  
New Delhi 110 020 INDIA  
Tel.: +91-11-41295700/800  
Fax: +91-11-41611070/71  
E-mail: postmaster@phoenixcontactin.com  
Website: www.phoenixcontactin.com

### SOUTHERN INDIA OFFICE

411, Barton Centre  
84, M.G. Road, Bangalore 560 001  
Tel.: +91-80-25091481  
Telefax: +91-80-25581312

### WESTERN INDIA OFFICES

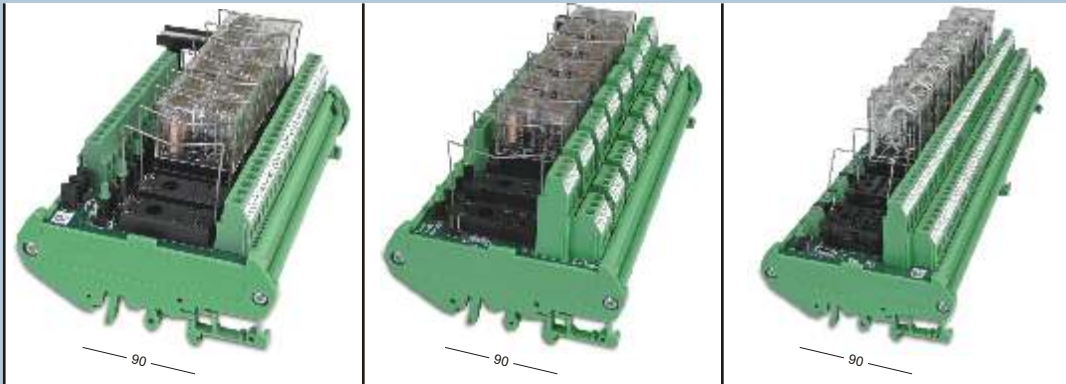
504, Sagar Tech Plaza, 'B' Wing  
Andheri-Kurla Road, Saki Naka  
Andheri [E], Mumbai 400 072  
Tel.: +91-22-28511745  
Fax: +91-22-28511070

302, City Point  
Dhole Patil Road  
Pune - 411 001  
Tel.: +91-20-30523636  
Fax: +91-20-30523637

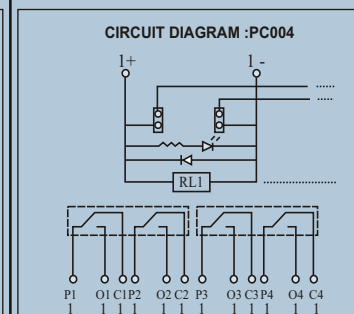
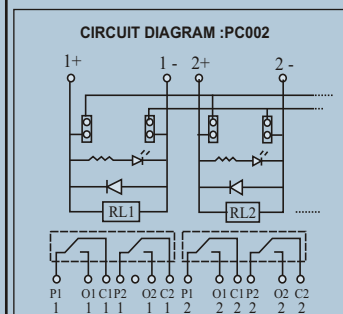
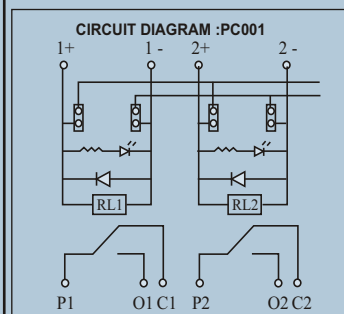
## VARIOFACE DC Coil Relay Modules

### Features:

- 1, 2, 4, 8 & 16 Relays
- Screwable connection
- Conductor cross-section 2.5mm<sup>2</sup>
- Easy user friendly labeling
- Higher operational reliability.
- Switching Status "High Active" is indicated by Green LED.
- Universal Din rail Mounting.
- Freewheeling Diode is provided for protection against back emf.



TECHNICAL DATA	1CO (SPDT)	2CO (DPDT)	4CO (4PDT)
<b>COIL SIDE</b>			
Operating Voltage ±10%	24VDC	24VDC	24VDC
Coil Resistance(Ohms)	1150	1150	636
Input Circuit. Protection	FREEWHEELING DIODE	FREEWHEELING DIODE	FREEWHEELING DIODE
Status Display	GREEN LED	GREEN LED	GREEN LED
<b>CONTACT SIDE</b>			
Contact type	1PDT	2PDT	4PDT
Max contact voltage	230VAC/30VDC	230VAC/30VDC	230VAC/30VDC
Max continuous current	10A	5A	3A
<b>GENERAL DATA</b>			
Test Voltage	2.5kV, 50Hz, 1Min	2.5kV, 50Hz, 1Min	2.5kV, 50Hz, 1Min
Operating Temp Range	0°C- 60°C	0°C- 60°C	0°C- 60°C
Length	90 mm.	90 mm.	90 mm.
	Module width (mm)	Module width (mm)	Module width (mm)
Single relay,			
OMRON relay with socket	PC24D01-COB 23	PC24D01-2COB 23	PC24D01-4COB 40
OMRON relay without socket	PC24D01-CO 23	PC24D01-2CO 23	PC24D01-4CO 40
O/E/N relay with socket	PC24D01-CB 23	PC24D01-2CB 23	PC24D01-4CB 40
O/E/N relay without socket	PC24D01-C 23	PC24D01-2C 23	PC24D01-4C 40
Two relays,			
OMRON relay with socket	PC24D02-COB 45	PC24D02-2COB 52	PC24D02-4COB 80
OMRON relay without socket	PC24D02-CO 45	PC24D02-2CO 52	PC24D02-4CO 80
O/E/N relay with socket	PC24D02-CB 45	PC24D02-2CB 52	PC24D02-4CB 80
O/E/N relay without socket	PC24D02-C 45	PC24D02-2C 52	PC24D02-4C 80
Four relays,			
OMRON relay with socket	PC24D04-COB 72	PC24D04-2COB 104	PC24D04-4COB 160
OMRON relay without socket	PC24D04-CO 72	PC24D04-2CO 104	PC24D04-4CO 160
O/E/N relay with socket	PC24D04-CB 72	PC24D04-2CB 104	PC24D04-4CB 160
O/E/N relay without socket	PC24D04-C 72	PC24D04-2C 104	PC24D04-4C 160
Eight relays,			
OMRON relay with socket	PC24D08-COB 132	PC24D08-2COB 182	PC24D08-4COB 260
OMRON relay without socket	PC24D08-CO 132	PC24D08-2CO 182	PC24D08-4CO 260
O/E/N relay with socket	PC24D08-CB 132	PC24D08-2CB 182	PC24D08-4CB 260
O/E/N relay without socket	PC24D08-C 132	PC24D08-2C 182	PC24D08-4C 260
Sixteen relays,			
OMRON relay with socket	PC24D16-COB 266	PC24D16-2COB 361	On Request

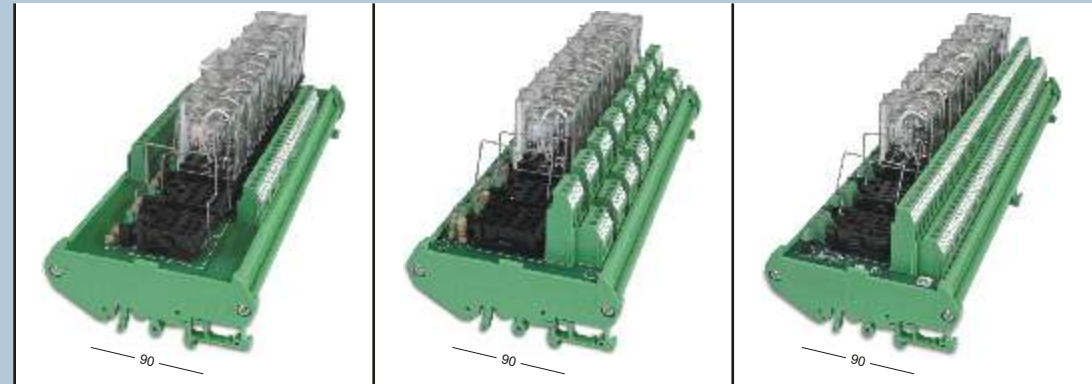


P = Pol, O = 'NO', C = 'NC'

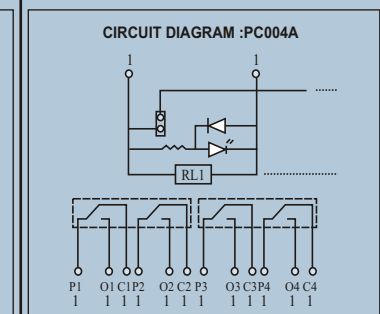
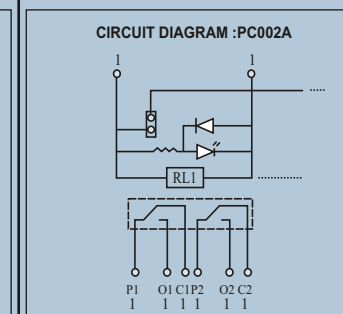
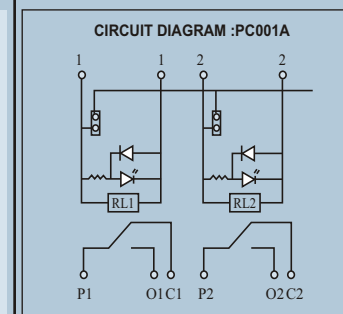
## VARIOFACE AC Coil Relay Modules

### Features:

- 1, 2, 4, & 8 Relays
- Screwable connection
- Conductor cross-section 2.5mm<sup>2</sup>
- Easy user friendly labeling.
- Higher operational reliability.
- Switching Status "High Active" is indicated by Green LED.
- Universal Din rail Mounting.



TECHNICAL DATA	1CO (SPDT)	2CO (DPDT)	4CO (4PDT)
<b>COIL SIDE</b>			
Operating Voltage ± 10%	110VAC/230VAC/24VAC	110VAC/230VAC	110VAC/230VAC
Coil Resistance(Ohms)	3750 / 18790 / 1150	3750 / 18790	3750 / 18790
Status Display	GREEN LED	GREEN LED	GREEN LED
<b>CONTACT SIDE</b>			
Contact type	1PDT	2PDT	4PDT
Max contact voltage	230VAC/30VDC	230VAC/30VDC	230VAC/30VDC
Max continuous current	5A	5A	3A
<b>GENERAL DATA</b>			
Test Voltage (Between coil & contacts)	2.5kV, 50Hz, 1Min	2.5kV, 50Hz, 1Min	2.5kV, 50Hz, 1Min
Operating Temp Range	0°C- 60°C	0°C- 60°C	0°C- 60°C
Length (without fuse modules)	90 mm.	90 mm.	90 mm.
Length (with fuse modules)	126 mm.	126 mm.	126 mm.
	Module width (mm)	Module width (mm)	Module width (mm)
Four relays, 110 V AC coil			
OMRON relay with socket	PC110A04-COB 110	PC110A04-2COB 110	PC110A04-4COB 155
O/E/N relay with socket	PC110A04-CB 110	PC110A04-2CB 110	PC110A04-4CB 155
Four relays, 230 V AC coil,			
OMRON relay with socket	PC230A04-COB 110	PC230A04-2COB 110	PC230A04-4COB 155
O/E/N relay with socket	PC230A04-CB 110	PC230A04-2CB 110	PC230A04-4CB 155
Eight relays, 110 V AC coil			
OMRON relay with socket	PC110A08-COB 200	PC110A08-2COB 205	PC110A08-4COB 260
O/E/N relay with socket	PC110A08-CB 200	PC110A08-2CB 205	PC110A08-4CB 260
Eight relays, 230 V AC coil,			
OMRON relay with socket	PC230A08-COB 200	PC230A08-2COB 205	PC230A08-4COB 260
O/E/N relay with socket	PC230A08-CB 200	PC230A08-2CB 205	PC230A08-4CB 260
Four relays, 24 V AC coil			
OMRON relay with socket without fuse	PC24A04-COB 75		
O/E/N relay with socket without fuse	PC24A04-CB 75	On Request	On Request
OMRON relay with socket with fuse	PC24A04 (OF)-COB 72		
O/E/N relay with socket with fuse	PC24A04 (OF)-CB 72		
Eight relays, 24 V AC coil			
OMRON relay with socket without fuse	PC24A08-COB 145		
O/E/N relay with socket without fuse	PC24A08-CB 145	On Request	On Request
OMRON relay with socket with fuse	PC24A08 (OF)-COB 136		
O/E/N relay with socket with fuse	PC24A08 (OF)-CB 136		



P = Pol, O = 'NO', C = 'NC'

## VARIOFACE FUSED Relay Modules

### Features:

- 1, 2, 4, & 8 Relays
- Screwable connection
- Conductor cross-section 2.5mm<sup>2</sup>
- Easy user friendly labeling
- Higher operational reliability.
- Switching Status "High Active" is indicated by Green LED.
- Freewheeling Diode is provided for protection against back emf.
- Fuse is provided in common path of every contact.



### TECHNICAL DATA

#### COIL SIDE

Operating Voltage+10%  
Coil Resistance(Ohms)  
Status Display  
Fuse fail Display

### 1CO(SPDT)

24VDC  
1150  
GREEN LED  
RED LED

### 2CO(DPDT)

24VDC  
1150  
GREEN LED  
RED LED

#### CONTACT SIDE

Contact type  
Max contact voltage  
Max continuous current  
Protection Fuse  
Fuse Blown Indication

1PDT  
250VAC/30VDC  
10A  
5A  
Optional

2PDT  
250VAC/30VDC  
5A  
5A  
Optional

#### GENERAL DATA

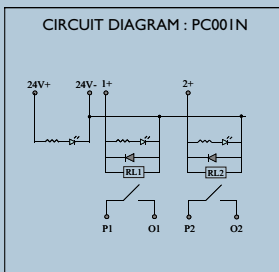
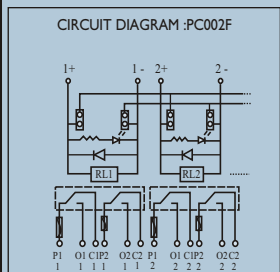
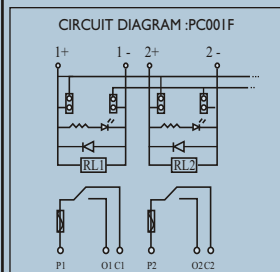
Test Voltage  
Operating Temp Range  
Length

2.5kV, 50Hz, 1Min  
0°C- 60°C  
126 mm.

2.5kV, 50Hz, 1Min  
0°C- 60°C  
126 mm.

	Module width (mm)		Module width (mm)	
<b>Single relay,</b>				
OMRON relay with socket	PC24D01(OFF)-COB	23	PC24D01(OFF)-2COB	36
OMRON relay without socket	PC24D01(OFF)-CO	23	PC24D01(OFF)-2CO	36
O/E/N relay with socket	PC24D01(OFF)-CB	23	PC24D01(OFF)-2CB	36
O/E/N relay without socket	PC24D01(OFF)-C	23	PC24D01(OFF)-2C	36
<b>Two relays,</b>				
OMRON relay with socket	PC24D02(OFF)-COB	45	PC24D02(OFF)-2COB	58
OMRON relay without socket	PC24D02(OFF)-CO	45	PC24D02(OFF)-2CO	58
O/E/N relay with socket	PC24D02(OFF)-CB	45	PC24D02(OFF)-2CB	58
O/E/N relay without socket	PC24D02(OFF)-C	45	PC24D02(OFF)-2C	58
<b>Four relays,</b>				
OMRON relay with socket	PC24D04(OFF)-COB	72	PC24D04(OFF)-2COB	100
OMRON relay without socket	PC24D04(OFF)-CO	72	PC24D04(OFF)-2CO	100
O/E/N relay with socket	PC24D04(OFF)-CB	72	PC24D04(OFF)-2CB	100
O/E/N relay without socket	PC24D04(OFF)-C	72	PC24D04(OFF)-2C	100
<b>Four relays, with fuse blown indication</b>				
OMRON relay with socket	PC24D04(OFF)-COBXXX	80	PC24D04(OFF)-2COBXXX	120
O/E/N relay with socket	PC24D04(OFF)-CBXXX	80	PC24D04(OFF)-2CBXXX	120
<b>Eight relays,</b>				
OMRON relay with socket	PC24D08(OFF)-COB	132	PC24D08(OFF)-2COB	186
OMRON relay without socket	PC24D08(OFF)-CO	132	PC24D08(OFF)-2CO	186
O/E/N relay with socket	PC24D08(OFF)-CB	132	PC24D08(OFF)-2CB	186
O/E/N relay without socket	PC24D08(OFF)-C	132	PC24D08(OFF)-2C	186
<b>Eight relays, with fuse blown indication</b>				
OMRON relay with socket	PC24D08(OFF)-COBXXX	160	PC24D08(OFF)-2COBXXX	240
O/E/N relay with socket	PC24D08(OFF)-CBXXX	160	PC24D08(OFF)-2CBXXX	240

**XXX : CONTACT LOAD**  
024 : 24VDC  
110 : 110VAC  
230 : 230VAC



P = Pol, O = 'NO', C = 'NC'

P = Pol, O = 'NO', C = 'NC'

## VARIOFACE DC Coil Relay Modules with 'NO' Contact

### Features:

- 1, 2, 4, & 8 Relays
- Screwable connection
- Conductor cross-section 2.5mm<sup>2</sup>
- Easy user friendly labeling
- Higher operational reliability.
- Switching Status "High Active" is indicated by Green LED.
- Freewheeling Diode is provided for protection against back emf.



### TECHNICAL DATA

#### COIL SIDE

Operating Voltage+10%  
Coil Resistance(Ohms)  
Status Display  
Fuse fail Display

### 1NO(SPST)

24VDC  
1150  
GREEN LED  
RED LED

#### CONTACT SIDE

Contact type  
Max contact voltage  
Max continuous current  
Protection Fuse  
Fuse Blown Indication

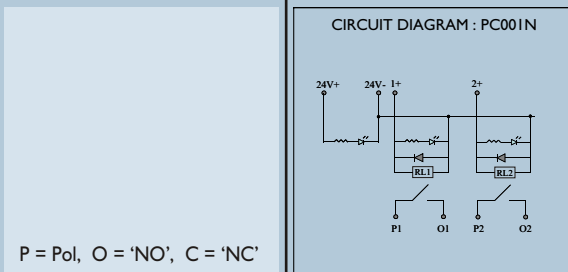
1PDT  
250VAC/30VDC  
10A  
5A  
Optional

#### GENERAL DATA

Test Voltage  
Operating Temp Range  
Length

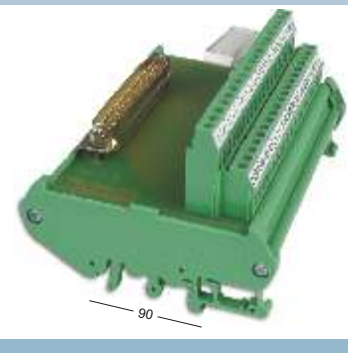
2.5kV, 50Hz, 1Min  
0°C- 60°C  
90 mm.

	Module width (mm)	
<b>Single relay,</b>		
OMRON relay without socket	PC24DO1N-NO	30
O/E/N relay without socket	PC24DO1N-N	30
<b>Two relays,</b>		
OMRON relay without socket	PC24DO2N-NO	45
O/E/N relay without socket	PC24DO2N-N	45
<b>Four relays,</b>		
OMRON relay without socket	PC24DO4N-NO	74
O/E/N relay without socket	PC24DO4N-N	74
<b>Eight relays,</b>		
OMRON relay without socket	PC24DO8N-NO	127
O/E/N relay without socket	PC24DO8N-N	127



P = Pol, O = 'NO', C = 'NC'

## VARIOFACE PASSIVE MODULE

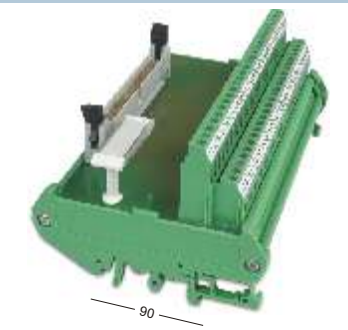


### FLKM-D...SUB

9 to 50 positions

(IEC) [mm <sup>2</sup> ]	rigid solid	flexible standard	AWG	I [A]	U [V AC/DC]
Connection data	0.2 -4	0.2-2.5	24-14	2.5	125

No of Pins	Type	Module width (mm)
<b>D SUB MALE</b>		
9	FLKM-D 9 SUB/S	42
15	FLKM-D 15 SUB/S	65
25	FLKM-D 25 SUB/S	87
37	FLKM-D 37 SUB/S	110
50	FLKM-D 50 SUB/S	110
<b>D SUB FEMALE</b>		
9	FLKM-D 9 SUB/B	42
15	FLKM-D 15 SUB/B	65
25	FLKM-D 25 SUB/B	87
37	FLKM-D 37 SUB/B	110
50	FLKM-D 50 SUB/B	110



### FLKM 10...64

10 to 64 positions

(IEC) [mm <sup>2</sup> ]	rigid solid	flexible standard	AWG	I [A]	U [V AC/DC]
Connection data	0.2 -4	0.2-2.5	24-14	1	60

No of Pins	Type	Module width (mm)
10	FLKM 10	54
14	FLKM 14	59
16	FLKM 16	65
20	FLKM 20	65
26	FLKM 26	90
34	FLKM 34	110
40	FLKM 40	110
50	FLKM 50	133
60	FLKM 60	177
64	FLKM 64	186

TEST VOLTAGE : 2.5 kV, 50 Hz, 60 s  
OPERATING TEMPERATURE : 0°C - 60°C  
INSTALLATION : IEC 664/IEC 664 A/DIN VDE 0110; DIN VDE 0160 (In parts)

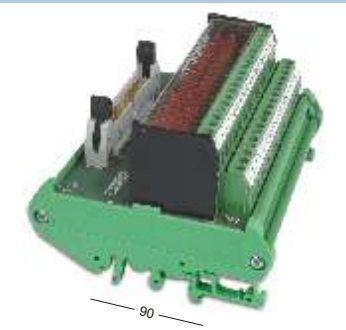


### FLKM-D...SUB/LA

9 to 50 positions with light indicator

(IEC) [mm <sup>2</sup> ]	rigid solid	flexible standard	AWG	I [A]	U [V AC/DC]
Connection data	0.2 -4	0.2-2.5	24-12	2.5	24

No of Pins	Type	Module width (mm)
<b>D SUB MALE</b>		
9	FLKM-D 9 SUB/S/LA	42
15	FLKM-D 15 SUB/S/LA	65
25	FLKM-D 25 SUB/S/LA	87
37	FLKM-D 37 SUB/S/LA	110
50	FLKM-D 50 SUB/S/LA	150
<b>D SUB FEMALE</b>		
9	FLKM-D 9 SUB/B/LA	42
15	FLKM-D 15 SUB/B/LA	65
25	FLKM-D 25 SUB/B/LA	90
37	FLKM-D 37 SUB/B/LA	120
50	FLKM-D 50 SUB/B/LA	120



### FLKM 10...64/LA

10 to 64 positions with light indicator

(IEC) [mm <sup>2</sup> ]	rigid solid	flexible standard	AWG	I [A]	U [V AC/DC]
Connection data	0.2 -4	0.2-2.5	24-14	1	24

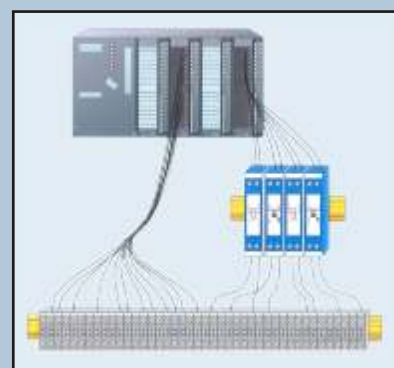
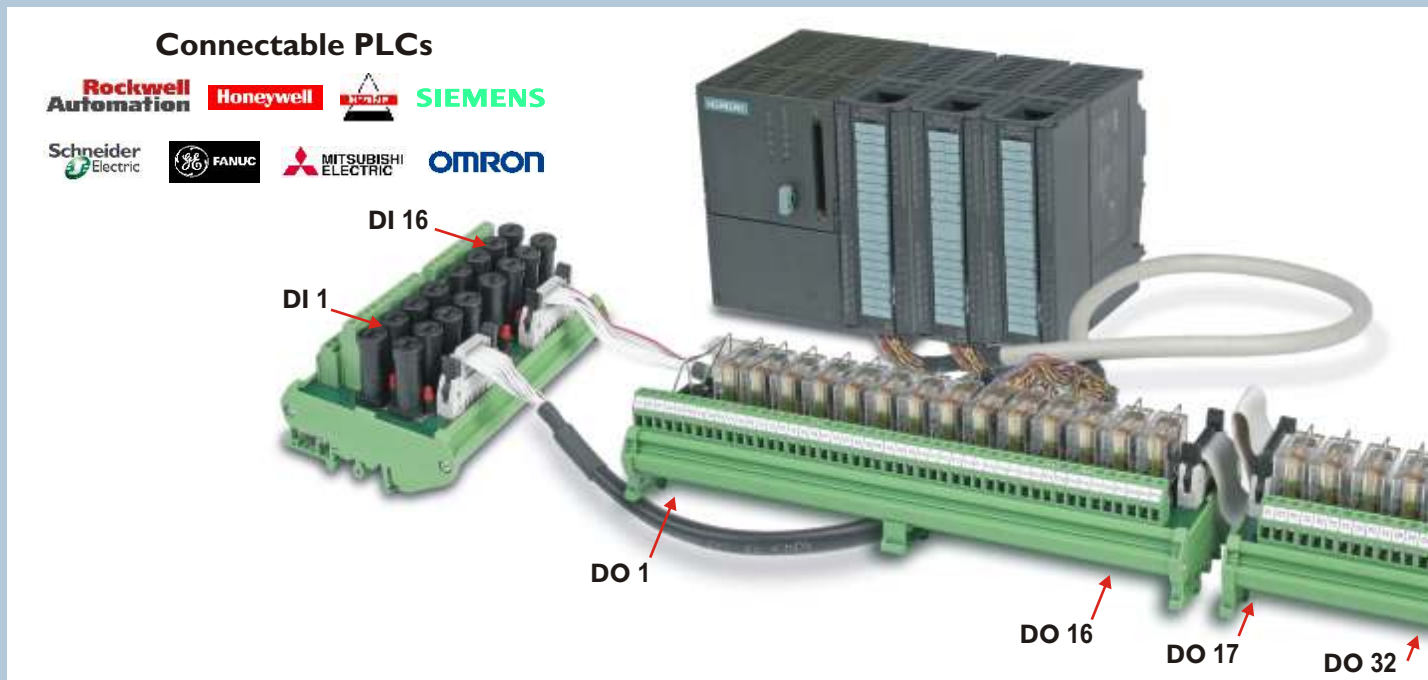
No of Pins	Type	Module width (mm)
10	FLKM 10/LA	54
14	FLKM 14/LA	59
16	FLKM 16/LA	65
20	FLKM 20/LA	65
26	FLKM 26/LA	90
34	FLKM 34/LA	110
40	FLKM 40/LA	110
50	FLKM 50/LA	133
60	FLKM 60/LA	177
64	FLKM 64/LA	186

\*SCREW LESS CONNECTORS AVAILABLE ON REQUEST  
\*FLKM with RJ45 & fujitsu connectors also available.

## VARIOFACE - PLC SYSTEM CABLING

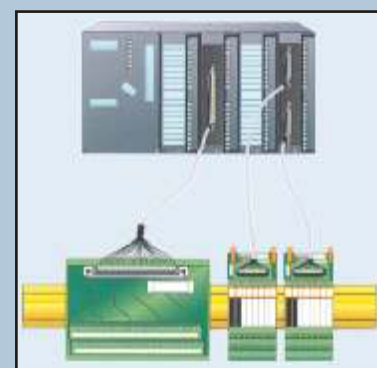
DI		DO	AI / AO / RTD
<ul style="list-style-type: none"> <li><b>PC16DIF-D25</b> 16 ch. DI module with fuse and status indication in every signal line.</li> </ul>	<ul style="list-style-type: none"> <li><b>PC16DIF(ISO)AT2-D25</b> 16 ch. DI module with opto isolation between field input and PLC DI module and in-built auto test feature.</li> </ul>	<ul style="list-style-type: none"> <li><b>PC24D08CO(OFF)-CD15VM/PC24D08CO(OFF)-FRC14</b> 8 ch. DO module with fuse in every output contact. provision for supplying 24V DC supply to PLC module.</li> </ul>	<ul style="list-style-type: none"> <li><b>PC08AI-D25S7</b> 8 ch. Analog input with fuse in every signal line.</li> </ul>
<ul style="list-style-type: none"> <li><b>PC24DDI16-D25S7</b> 16 ch. DI module with fuse in every signal line.</li> </ul>	<ul style="list-style-type: none"> <li><b>PC24DIF(ISO)-D25(230)</b> 16 ch. DI module suitable for interfacing 230V AC field input to 24V DC PLC DI module.</li> </ul>	<ul style="list-style-type: none"> <li><b>PC24D08CO(OFF)-CD25</b> 8 ch. DO module with fuse in every output contact. Provision for energising each coil independently.</li> </ul>	<ul style="list-style-type: none"> <li><b>PC16AI-D37</b> 16 ch. Analog input Module with fuse in every signal line and with jumper selection for 2W/4W current signal.</li> </ul>
<ul style="list-style-type: none"> <li><b>PC24DI32-VMD37</b> 32ch. DI module with four fuses for four bytes.</li> </ul>	<ul style="list-style-type: none"> <li><b>PC16DI(OFI)-FRC14</b> 16 ch. DI module with fuse &amp; fuse blown indication in every signal line.</li> </ul>	<ul style="list-style-type: none"> <li><b>PC16RM/GR-24/21/PLC PC16RM/GR-24/21/E/PLC</b> 16ch. DO module (basic &amp; expansion) for easy connectivity.</li> </ul>	<ul style="list-style-type: none"> <li><b>PC04AO-D25VM</b> 4 ch. Analog output with fuse in every line and on mains. Jumper for shorting return path.</li> </ul>
<ul style="list-style-type: none"> <li><b>PC-FLKM 50/PLC</b> 32 ch. DI module, suitable for use with front adapters.</li> </ul>	<ul style="list-style-type: none"> <li><b>PC-FLKM 14/PLC</b> 8 ch. DI module, suitable for use with front adapters.</li> </ul>	<ul style="list-style-type: none"> <li><b>PC24D16WT-CD25</b> 16 ch. DO module with output contact watted at 24V DC.</li> </ul>	<ul style="list-style-type: none"> <li><b>PC04RTD-VMD25</b> 4 ch. RTD module with jumper selection for 3-wire and 4-wire RTDs.</li> </ul>

## PRESENTATION OF PLC WIRING SOLUTION



### Wiring with single wires

- Connecting 80 and more individual wires per I/O module
- 80 and more possible sources of errors and sometimes even a wrong contact
- Confusing cable bundles and tiresome troubleshooting



### Wiring with system cables

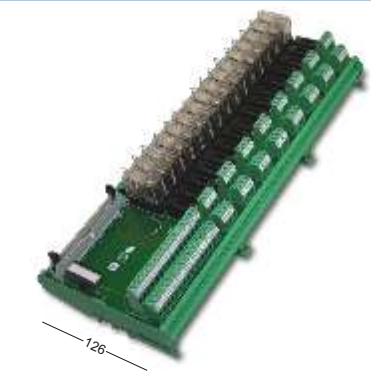
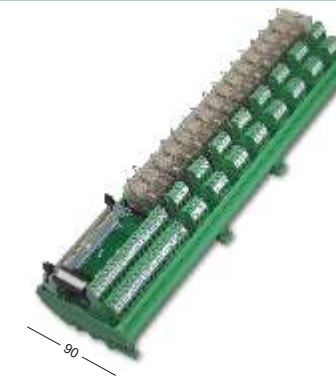
- **90% faster**
- Compared to wiring with single wires, the time saving for VARIOFACE system cabling is 90% and more.



## VARIOFACE CNC Interface Modules

### Features:

- 24 Inputs and Power**
  1. On screwable connectors
  2. Easy user friendly labeling.
- 16 Output**
  1. 16 Relays
  2. Relay change over on Screwable connection
  3. Conductor cross-section 2.5mm<sup>2</sup>
  4. Easy user friendly labeling.
  5. Higher operational reliability.
  6. Switching Status "High Active" is indicated by Green LED.
  7. Universal Din rail Mounting.
  8. Free wheeling Diode is provided protection against back emf.



### VARIOFACE CNC

FANUC 0I  
SIEMENS 802D  
POWERMATE 0..

### 24 I/P, 16 O/P WITH SPDT RELAYS

PC24I16O-0I  
PC24I16O-02D  
PC24I16O-PWT0....

### 24 I/P, 16 O/P WITH FUSES & SPDT RELAYS

PC24I16O(OFF)-0I  
PC24I16O(OFF)-02D  
PC24I16O(OFF)-PWT0....

### TECHNICAL DATA

#### COIL SIDE

Operating Voltage  $\pm 10\%$   
Coil Resistance(Ohms)  
Input Circuit. Protection  
Status Display

#### CONTACT SIDE

Contact type  
Max contact voltage  
Max continuous current

#### GENERAL DATA

Test Voltage (Between coil & contacts)  
Operating Temp Range  
Dimension (mm)

### 1CO (SPDT)

24VDC  
1150  
FREEWHEELING DIODE  
GREEN LED

1PDT  
230VAC/30VDC  
5A

2.5kV, 50Hz, 1Min  
0°C- 60°C  
310 x 90 x 65

### 1CO (SPDT)

24VDC  
1150  
FREEWHEELING DIODE  
GREEN LED

1PDT  
230VAC/30VDC  
5A

2.5kV, 50Hz, 1Min  
0°C- 60°C  
310 x 126 x 65

## VARIOFACE Accessory Modules



### Power distribution modules

Power distribution modules are simple distribution of power supply into 8 or 16 channel. Each distribution line is provided with fuse and fuse blown indication.

Module Name	Dimensions
PC24D08PDB	110 X 90 mm
PC24D16PDB	220 X 90 mm
PC110A08PDB	110 X 126 mm
PC230A08PDB	110 X 126 mm



### Utility Module

This rail mounting module is provided with ON/OFF control & fuse protection for fans and tubes required in electrical panels. There is a provision of using 110VAC fans with the help of ext. jumper.

Additional 5A/230 VAC utility socket with ON/OFF switch is provided.

Module Name	Dimensions
PC-Utility module	200 X 120 mm



### Fuse Module / Diode Oring Module

**Fuse Module :** Actuators, Lamps, X-formers or semi-conductor components must be protected against current overloads. High packing density, fuse blown indication makes the module more useful.

**Diode modules :** Fulfill the most varied requirements in the electrical and electronic control panels e.g. electrical decoupling, Lamp test etc.

Module Name	Dimensions
PC-OFI0424P	34 X 126 mm
PC-OFI1224M	75 X 126mm
PC-OFI1624P	95 X 126mm
PC-DIO8	80 X 90mm